

BUILT FOR SPEED

BUILT FOR SPEED

PATENTED
WORLD PATENTS
RECEIVED & PENDING!

RAPTOR

Pneumatic Torque Wrenches

Gearing up for THE REVOLUTION!

SPEED - Patented Technology Creates
"FASTEST" Pneumatic
Wrench Of Its Kind!

WEIGHT - "Pound For Ft/Lb"
There Is No Lighter
Pneumatic Wrench Around!

STRENGTH - The Most Durable
Pneumatic Wrench Ever!

TORCUP™

WWW.TORCUP.COM
sales@torcup.com
1-888-TORCUP-1



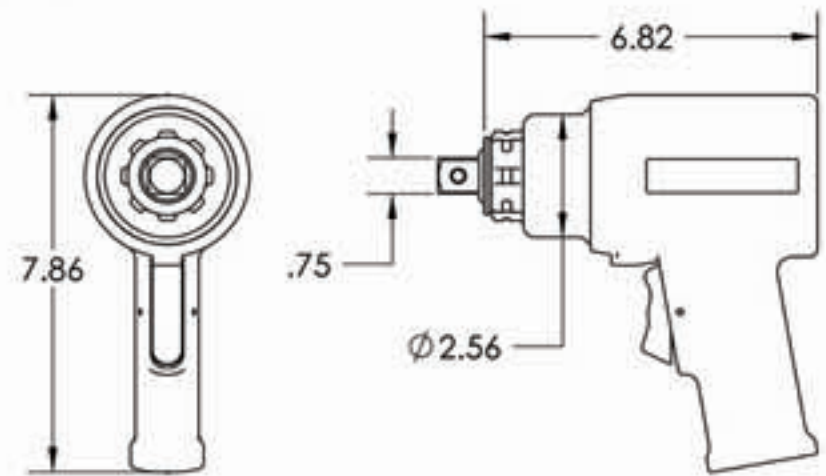
BUILT TO LAST

PATENTED
WORLD PATENTS
RECEIVED & PENDING!

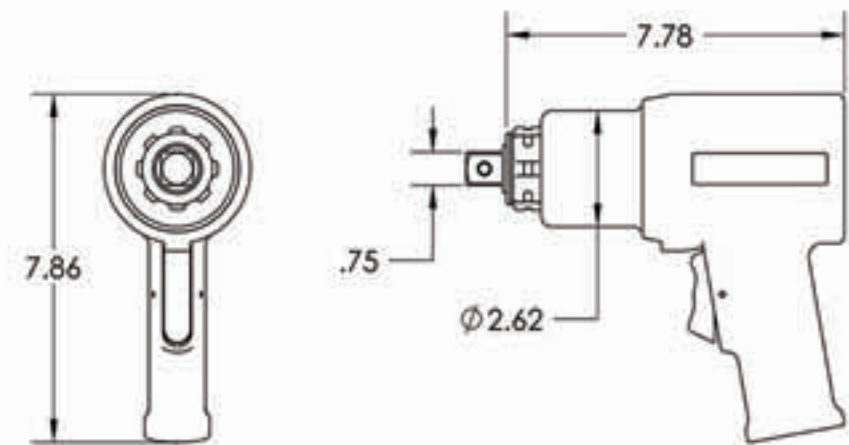
RAPTOR

Pneumatic Torque Wrenches

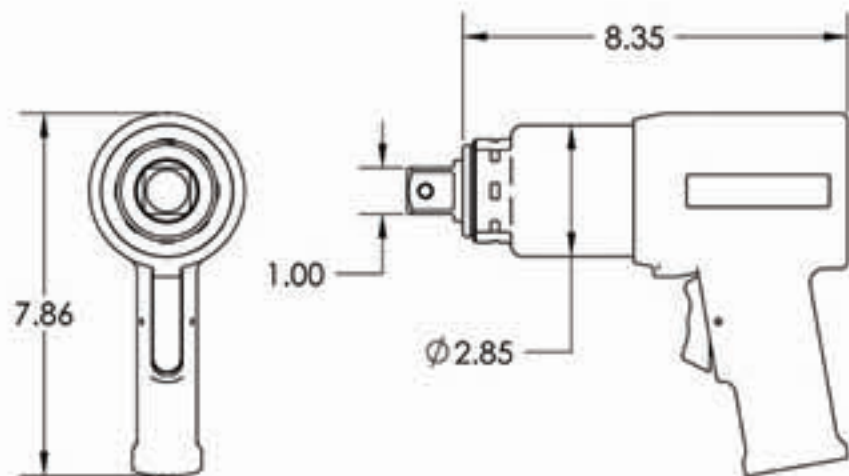
RAPTOR500 "SINGLE SPEED"
TORQUE RANGE 120-500
FREE SPEED 45 RPM
WEIGHT 9 lbs



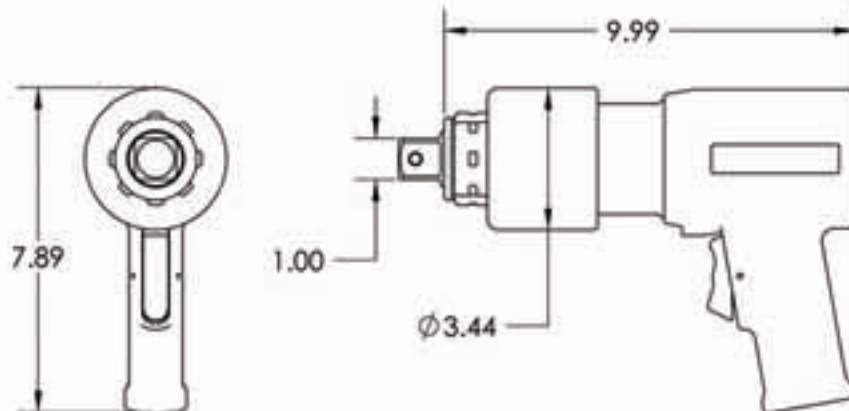
RAPTOR1000 "SINGLE SPEED"
TORQUE RANGE 250-1000
FREE SPEED 25 RPM
WEIGHT 10 lbs



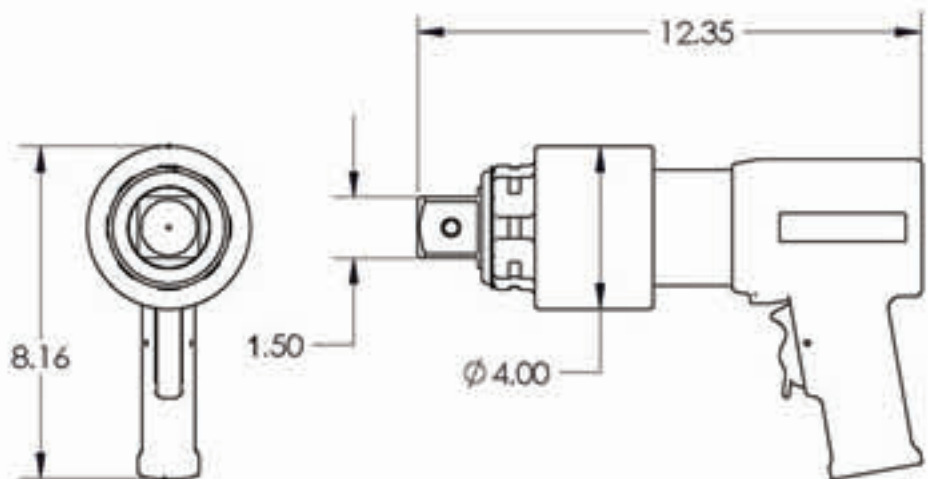
RAPTOR2000 "SINGLE SPEED"
TORQUE RANGE 450-2000
FREE SPEED 20 RPM
WEIGHT 12 lbs



RAPTOR3000 "SINGLE SPEED"
TORQUE RANGE 740-3000
FREE SPEED 5 RPM
WEIGHT 16 lbs



RAPTOR6000 "SINGLE SPEED"
TORQUE RANGE 1000-6000
FREE SPEED 3 RPM
WEIGHT 20 lbs



Max air consumption is 40 CFM at 90 psi full torque

WWW.TORCUP.COM
sales@torcup.com 1-888-TORCUP-1

TORCUP™