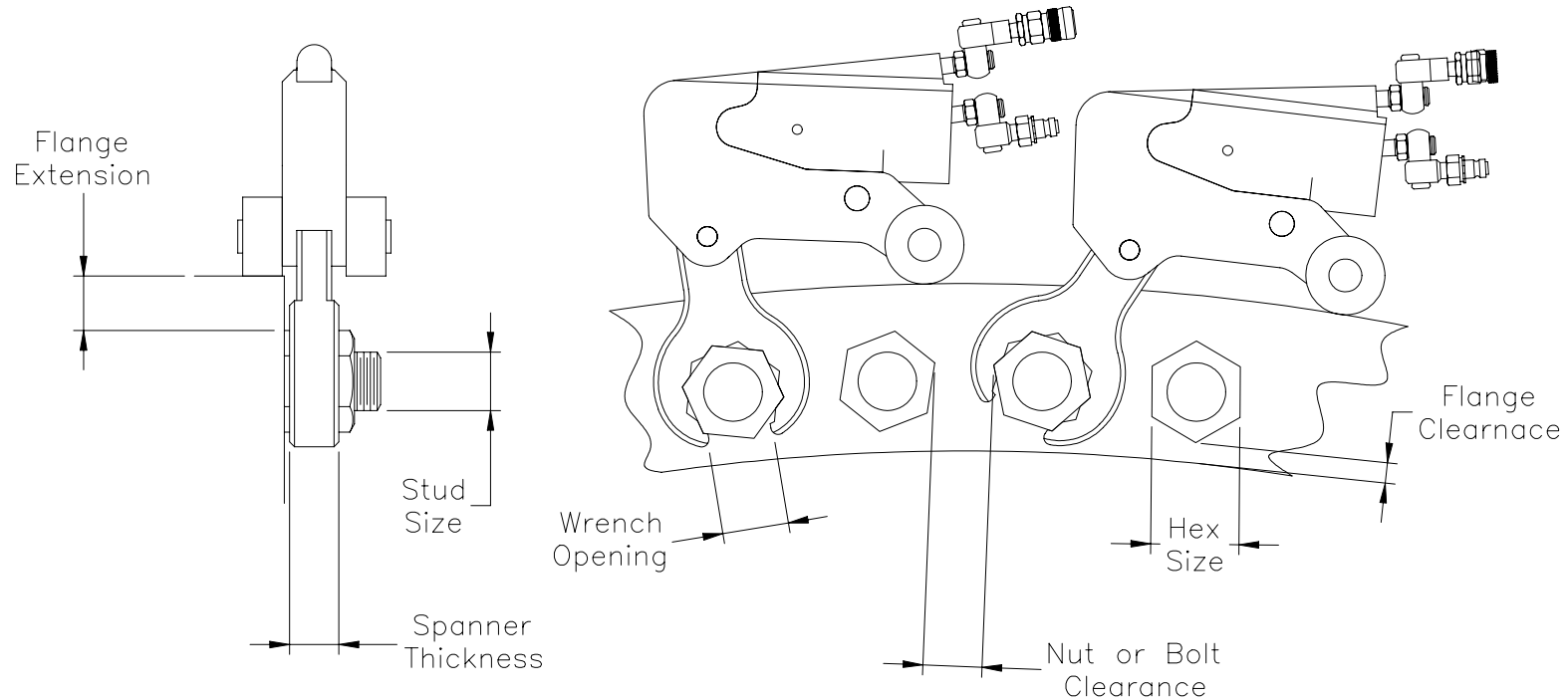


# SPANNER WRENCH DIMENSION WORKSHEET



Hex Size	Stud Size	Spanner Thickness	Wrench Opening	Nut or Bolt Clearance	Flange Clearance	Flange Extension

Date: \_\_\_\_\_



Specifications are specified by the customer.